



SCAN FOR
INSTALLATION GUIDE



SCAN FOR
CAD FILES



STANDARD EQUIPMENT

- Lifetime at Factory Warranty (Includes parts and labor)
- 3 year in-home warranty followed by lifetime warranty
- Patented SmartSteam™ on ProSeries™ The most desired feature in steam. Only from ThermaSol.
- Two Way Digital CAN-bus Technology Only from ThermaSol
- Auto PowerFlush™ pressurized inner tank cleaning system
- Superior heating elements - incoloy low watt density
- Split tank
- 208-240 volt power cord (5 ft.)
- 50' CAN-bus cable for the controller
- Works with ThermaSol Serenity Light, Sound, Rainhead
- FastStart™ steam in seconds...not minutes (patented)
- Constant steam at a constant rate; no steam lag or burst
- Can be plumbed 50 ft. from the shower without purchasing a larger kW unit
- Stainless steel construction
- Services residential rooms up to 1000 cubic ft. with one steam unit
- Stainless steel drain pan
- Pre-plumbed safety relief valve
- 1/2" union to connect to steam line
- Braided stainless steel water connector

INSTALLATION NOTES:

Install this generator according to the supplied installation guide. Follow local plumbing and electrical codes. Unit must be accessible.

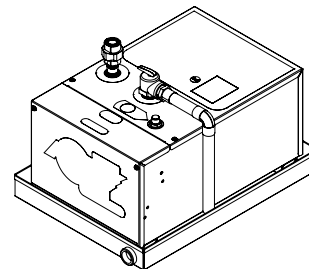
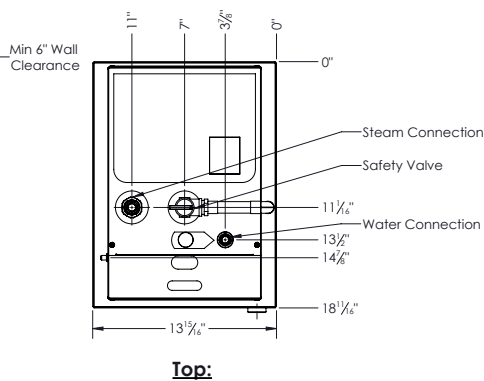
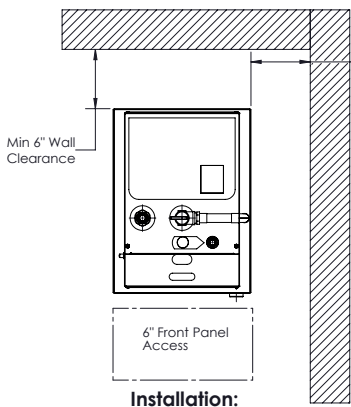
Generator is factory sized: L x W x H = Cubic Feet. Choose the appropriate generator. For every additional foot of ceiling height over 8 ft, use the next larger generator. Always round up when calculating the total cubic feet.

SPECIFICATIONS:

| | |
|-------------------------------------|-------------------------|
| Input Voltage..... | 208-240VAC Single Phase |
| Kilowatt Rating..... | 8.0 |
| Maximum Amperage..... | 37 AMPS |
| Water Inlet..... | 3/8" Compression |
| Steam Outlet..... | 1/2" NPT |
| Drain Pan..... | 3/4" NPT |
| Safety Valve..... | Pre plumbed |
| Electrical connection..... | NEMA 6-50P |
| Maximum Room Size (cubic Feet)..... | 140 |

COMPATIBLE OPTIONS:

- Thermatouch Series
- Signatouch Series
- Microtouch Series
- Signature Control Series
- Easy Start Series
- Wellness Packages
- Digital Shower Packages
- Serenity Light and Music series



SHIPPING DETAILS

Weight | 44 lbs.

Length | 18 in.

Width | 23 in.

Height | 14 in.

